

# I•Genius

Your Mindful Choice



 **esaote**  
HEALTH WITH CARE

# A new era of neurosurgery has begun

Every year, more than 50 0.000\* new cases of primary malignant brain tumors are diagnosed worldwide. Gliomas can be difficult to differentiate from surrounding tissue, making it challenging to estimate residual tumor.

In gliomas, incomplete resection may lead to recurrence.



Intraoperative MRI with **I-Genius** transforms the practice of brain tumor surgery by allowing MR imaging directly in the operating room, and supporting surgical decisions.

To guarantee a seamless and safe workflow within the operating room, ESAOTE has developed a dedicated MRI solution with an integrated intraoperative patient bed.

\*CBTRUS, Central Brain Tumor Registry of US.

# Next generation intraoperative MRI

Introducing **I-Genius**, a game-changing intraoperative MRI system that simplifies workflow by providing real-time MR imaging capabilities and delivering valuable information to assist neurosurgeons in making critical decisions during surgical resections.



## 1 ROOM

Everything in one room: no more patient transfers or workflow interruptions.

## 1 SURGICAL TABLE

To meets neurosurgery operating standards.

## 1.7m SAFE ZONE

Thanks to its smart design, the operator can quickly switch from the surgery to the imaging modality.

## 3 ADVANCED TOOLS

Tools to support the surgeon during the surgery

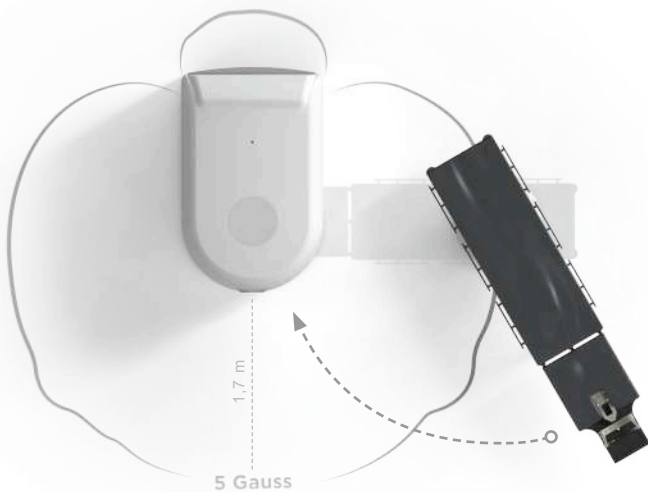
- Dedicated Cranial fixation system
- 55" UHD monitor available in the surgical room for real-time imaging display
- Customized Neuronavigation system (BrainNav by MedCom)\*

\*Optional

# A breakthrough in surgical techniques

## OPERATING TABLE

**I-Genius** is equipped with a pivotal surgical table designed to ensure both safety and time efficiency, enabling a smooth and immediate switch between surgical and imaging positions. Acting as a stable anchor for the headrest, the bed guarantees precise alignment between images and anatomy.



Powered by internal batteries, the bed supports all the typical movements required during brain surgery

## CRANIAL FIXATION

Dedicated headrest designed to provide optimal patient positioning and secure fixation, streamline the surgical workflow, and ensure full compatibility with MRI coils and neuronavigation systems.



Headrest

## COILS

Specialized coils are designed to adapt precisely to different head sizes, treatment areas, and surgical approaches. Each coil is engineered to be easily covered with a sterile drape making them reliable and seamlessly adaptable to the surgical environment.



Large Head



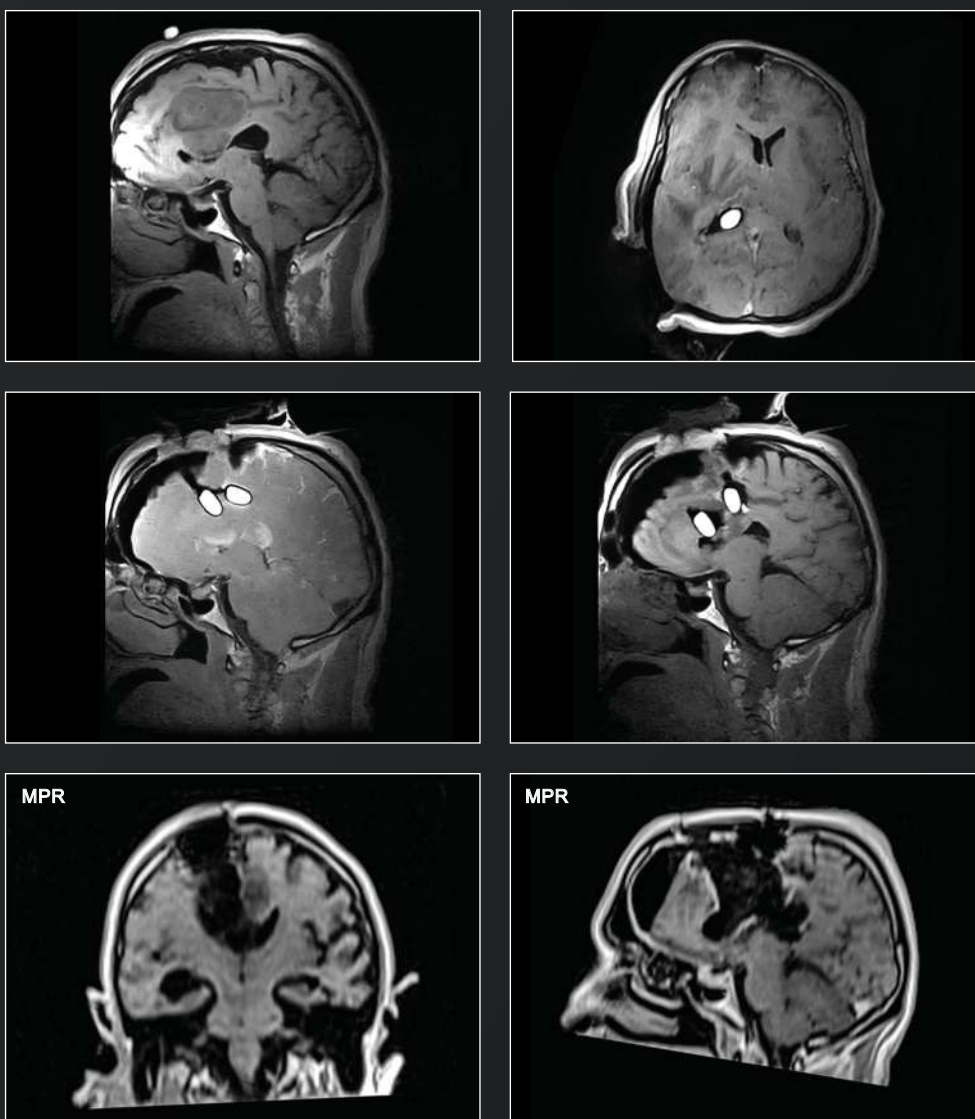
Head



Flex

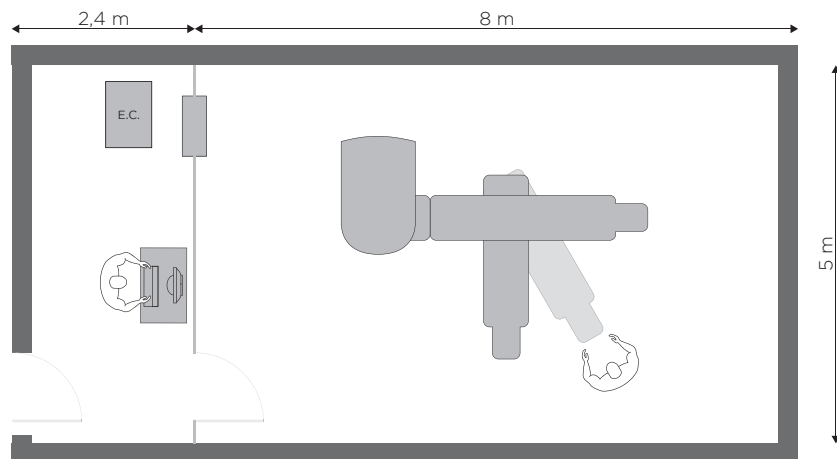
# Confident Vision for Smarter Surgery

In the operating room, every detail counts. Advanced intraoperative imaging provides neurosurgeons with the clarity, and confidence required to make important decisions in critical moments. All protocols are designed with optimized sequences, ensuring imaging tailored to surgical needs.



Examples of surgery progression, monitored by 3D sequences and multiplanar reconstructions

# All in one room



The low installation requirements of **I-Genius** result in highly compact and extremely flexible site planning, with simplified constraints for external devices such as surgical lights and anaesthetic systems.

This MRI system combines low power consumption with unmatched flexibility, making it suitable for any volume of use or economic constraints.

**I-Genius** redefines intraoperative MRI, breaking down barriers and democratizing access to innovation worldwide. By combining efficiency, flexibility, and sustainability, it makes state-of-the-art MRI accessible to more hospitals, more surgeons, and ultimately more patients.



Suitable for any volumes or economic constraints



Low power consumption



Helium free



Permanent magnet technology

# I•Genius

## Your Mindful Choice

### **BENEFITS FOR SURGEONS**

- ✓ Easy and smooth workflow
- ✓ Shorter surgery duration and reduced stress compared to other high field MRI solutions
- ✓ Maximum accuracy through real-time verification

### **BENEFITS FOR CLINIC**

- ✓ Flexible installation and low energy consumption
- ✓ Optimized OR Time
- ✓ Suitable for any type of surgical volume

### **BENEFITS FOR PATIENTS**

- ✓ Reduced risk of infection thanks to zero transfer
- ✓ Increasing people's access to iMRI
- ✓ Improved overall patient experience



Explore the innovation.  
Be part of the change.



160000590 Ver.01



0123

## **Esaote S.p.A. - sole-shareholder company**

Via Enrico Meloni 77, 16152 Genova, ITALY, Tel. +39 010 6547 1, Fax +39 010 6547 275,  
info@esaote.com www.esaote.com

Technology and features are device/configuration-dependent. Specifications subject to change without notice. Information might refer to products or modalities not yet approved in all countries. Product images are for illustrative purposes only. For further details, please contact your Esaote sales representative.

Please visit us online  
for more information



 Italian design 